

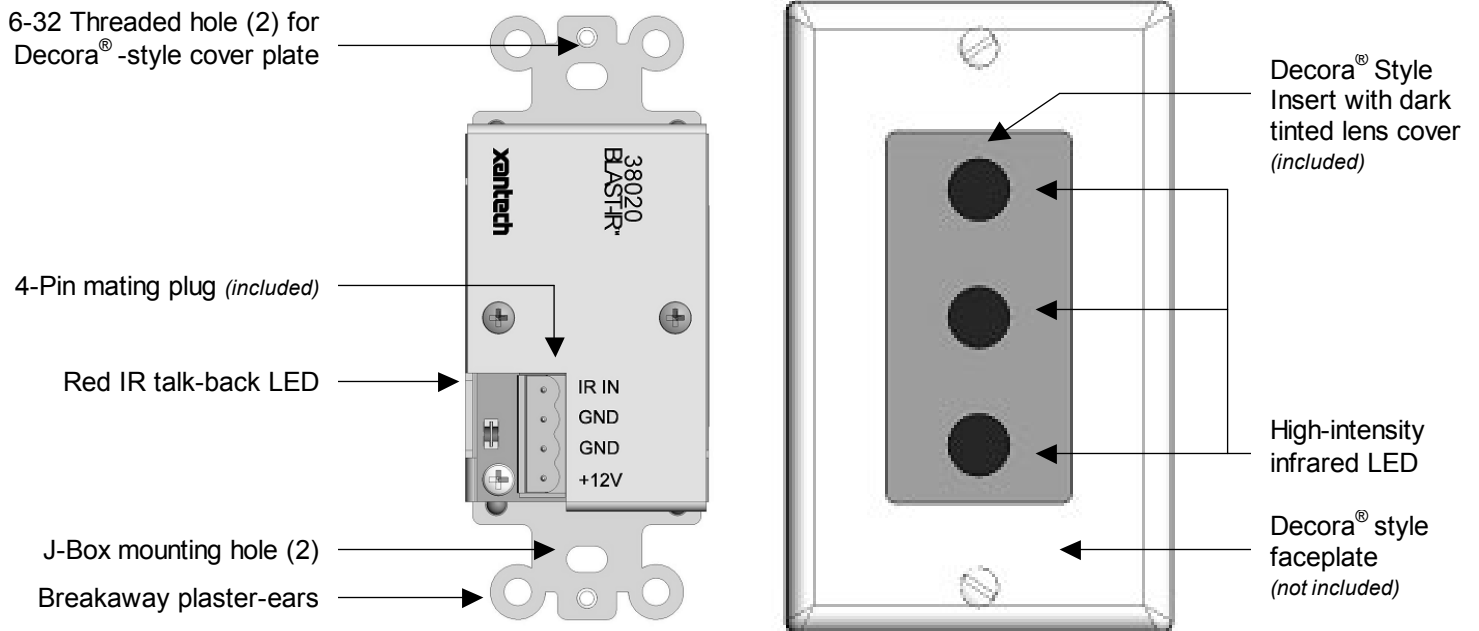
INSTALLATION INSTRUCTIONS

380-20

Single Gang, J-BOX, BLAST-IR™ Emitter

DESCRIPTION

The 380-20 J-BOX BLAST-IR™ contains three high-intensity Infrared LEDs housed in a metal enclosure that can easily be mounted inside a standard, single gang, J-BOX electrical receptacle. The benefit of the 380-20 is that it can “flood” an enclosed area with an infrared signal. The 380-20 comes with mounting screws and a Decora® style insert that can be used with the popular Decora® faceplate.



SPECIFICATIONS

- +12VDC, 200mA.
- Red IR talk-back LED (internal).
- Dimensions: 1-3/4" W x 4" H x 1-1/4" D.
- Recommended wire requirements: 3 or 4 conductor, 22 gauge solid or stranded wire up to 600 feet (unshielded OK).
- Able to achieve a distance well over 30 feet.

INSTALLATION

The 380-20 is intended to be wired to the terminals of any Xantech connecting block such as the CB12 and 789-44. Use 3 or 4 conductor cable, as specific above, to run between the connecting block and the 380-20. The conductor cable will be used to connect the +12VDC, IR BUS, and GROUND terminals.

While it is possible to make wired connections without a Xantech connecting block, it is not recommended. The Xantech connecting block reduces installation time, helps to eliminate errors, allows easy troubleshooting, and permits easy system upgrades later, if needed. Connecting the power supply to the connecting block must be the last step. Be sure to verify all wires are connected to the correct terminals. Incorrect connections may destroy the product. Two 380-20's may be connected in parallel.

Figure 1: 380-20 Basic IR Repeater System.

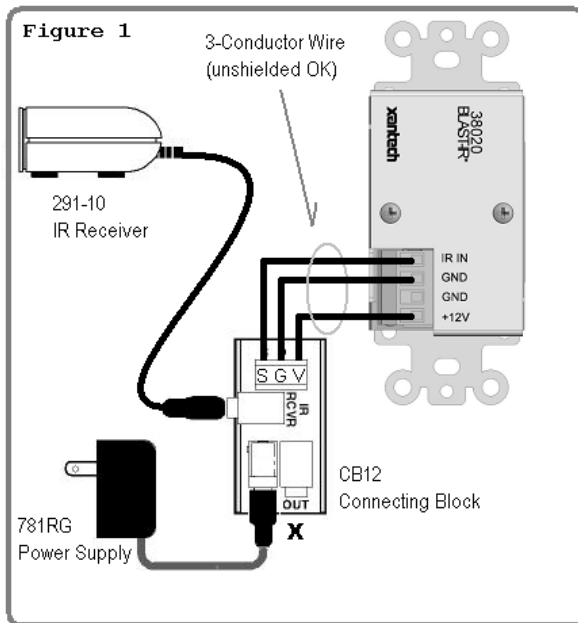
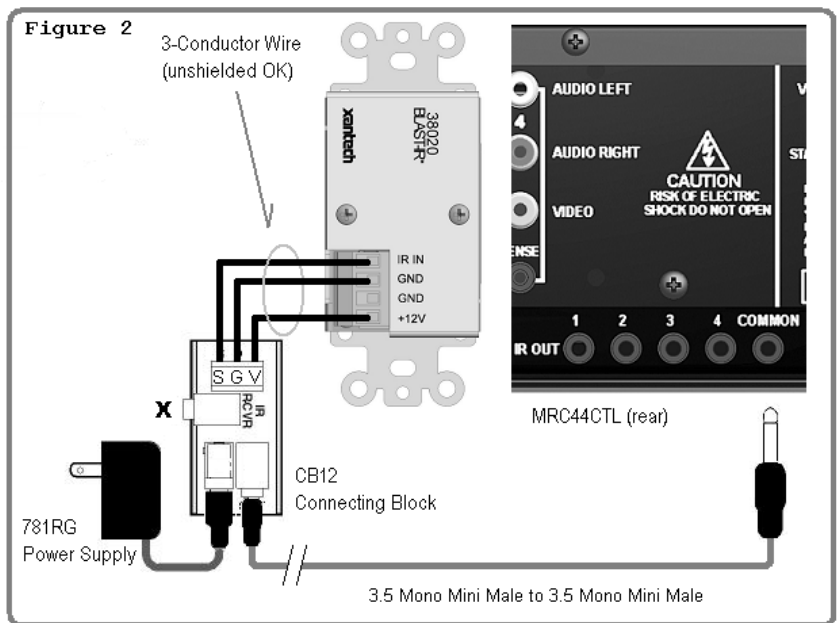


Figure 2: 380-20 IR Repeater System.



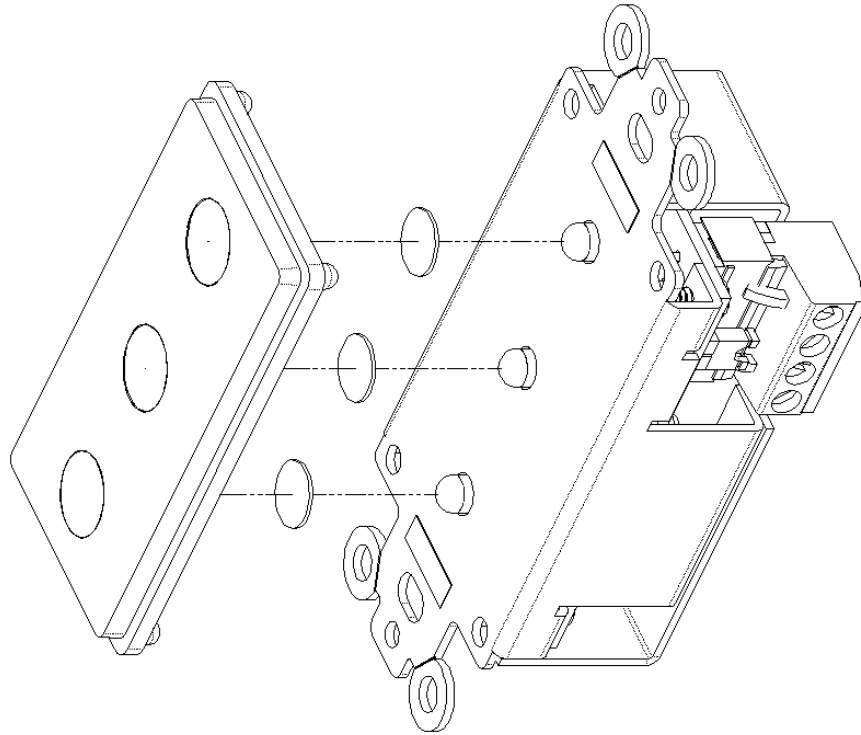
NOTE: The 380-20 infrared intensity is so great that it is possible to place the unit in an indirect view of the components to be controlled. This is due to the infrared waves “bouncing” off a wall and/or object. An ideal location would be an enclosed closet where the system components are stored. It is strongly recommended to experiment with the 380-20's exact location before installing the single gang box, J-Box, receptacle.

The three high-intensity infrared LEDs (light-blue) located on the front of the product are not visible to the human eye. The red talk-back LED indicates the 380-20 is receiving an IR signal at the input.

Adding IR Attenuators

In the event that the infrared (IR) signal is judged to be too intense, apply the included IR attenuators (white discs). The IR attenuators are to be placed between the 380-20 LED and the lens on the Decora® style insert.

Simply place the white disc between the light blue LED emitter and the lens.



Power Supply

It is recommended to use a +12Vdc, 200mA power supply.

Xantech's 782-00 or 781RG power supply is acceptable for use with this product.

IR Compatibility

Due to various IR command structures, the 380-20 may not be compatible with certain brand name components. It is highly recommended to test the 380-20 and all devices that it will control before final installation.

REPAIRS:
TECHNICAL SUPPORT PRE-AUTHORIZATION

Certain products require a Pre-Authorization from our Technical Support Department prior to a Return Authorization (RA) being issued. Please call our Technical Support Department at 800 843-5465 Extension 301 if you have a problem with any of the following products: Any MRC Controller or Keypad, SmartPad LCD (any model), ZPR68 (any version), 49090, 78090, any PA series amplifier, PM110, LM110, WPK (any version), DD4, Gate Keeper (any version), RT8, RT16, RAT1, URC2 (any version), MAC1, IRS232, IRS232A, RS232IR, RS2321X8, Xtralink-IP 172 series, 590-10, 710-00, 730-00, XDT, PMX/LMX , and BXAUDIO. Technical Support will transfer your call to the Sales Department to complete the ATR process.

LIMITED WARRANTY

Xantech warrants its products to be free of defects in materials or workmanship. This warranty extends for one year from the date of purchase by the consumer. Any products returned freight prepaid to Xantech and found to be defective by Xantech within the warranty period will be repaired or replaced, at Xantech's option, at no charge. Xantech will not be responsible for the actual cost of installation or removal of the product, nor for any incidental or consequential damages. Some states do not allow the exclusion or limitation of incidental or consequential damages so the above limitation or exclusion may not apply to you. This warranty gives you specific legal rights. You may have additional rights which vary from state to state.

XANTECH CORPORATION
13100 Telfair Avenue
Sylmar, CA 91342
Phone 818-362-0353 Fax 818-362-9506
www.xantech.com

Part No. 08901684 Rev A 12-12-05
© 2005 Xantech Corporation